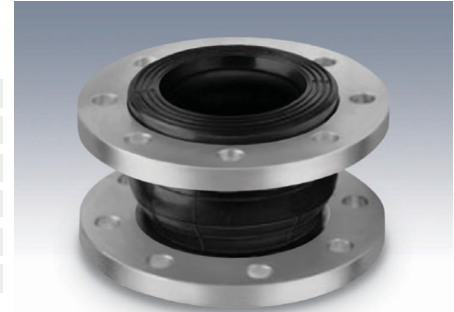


RUBBER BELLOW SINGLE SPHERE RUBBER FLEXIBLE JOINT



| PIPE SIZE | 1 | 1¼ | 1½ | 2 | 2½ | 3 | 4 | 5 | 6 | 8 | 10 | 12 | 14 | 16 | 18 | 20 | 22 | 24 |
|-----------|---|----|----|---|----|---|---|---|---|---|----|----|----|----|----|----|----|----|
| 100 PSI | | | | | | | | | | | | | | | ● | ● | ● | ● |
| 150 PSI | | | | | | | | | | | | | ● | ● | ● | ● | ● | ● |
| 200 PSI | | | | | | | | | ● | ● | ● | ● | ● | ● | ● | ● | ● | ● |
| 225 PSI | ● | ● | ● | ● | ● | ● | ● | ● | ● | ● | ● | ● | ● | ● | ● | ● | ● | ● |
| 300 PSI | ● | ● | ● | ● | ● | ● | ● | ● | ● | ● | ● | ● | ● | ● | ● | ● | ● | ● |

Note: ● use control tie pods

OPERATING CONDITIONS (Based on Neoprene Rubber Material)

| | | | | |
|--------------------|--|------------------------------------|---------------|------------------------------------|
| OPERATING PRESSURE | 32mm - 300mm | 15kg/cm ³ (228psi) | 350mm - 600mm | 8kg/cm ³ (114psi) |
| BURST PRESSURE | 32mm - 300mm | Over 50kg/cm ³ (711psi) | 350mm - 600mm | Over 30kg/cm ³ (427psi) |
| NEGATIVE PRESSURE | 750mm Hg | | | |
| TEMPERATURE RANGE | -20°C up to 100°C | | | |
| WORKING FLUIDS | Water, Hot Water, Sea Water, Compressed Air, Steam, Solvent, Acid, Weak Alkalies | | | |

DIMENSION AND ALLOWANCE TOLERANCE / MOVEMENT

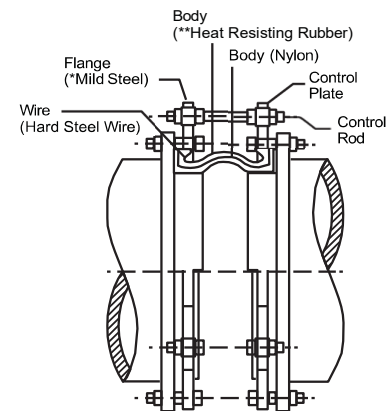
| NOMINAL BORE (Inner Dia.) SIZE | | LENGTH OF BELLOWS (mm) | | TRANSVERSE MOVEMENT +/- (mm) | AXIAL ELONGATION (mm) | AXIAL COMPRESSION (mm) | ANGULAR DEFLECTION |
|--------------------------------|-----|----------------------------|-------------------------------------|------------------------------|-----------------------|------------------------|--------------------|
| Inch | mm | Face to Face Distance (mm) | Total Acceptable Tolerance +/- (mm) | | | | |
| 1-1/4 | 32 | 95 | 3 | 5 | 5 | 10 | 15° |
| 1-1/2 | 40 | 95 | 3 | 5 | 5 | 10 | 15° |
| 2 | 50 | 115 | 3 | 10 | 10 | 10 | 15° |
| 2-1/2 | 65 | 125 | 3 | 10 | 10 | 10 | 15° |
| 3 | 80 | 150 | 3 | 10 | 10 | 15 | 15° |
| 4 | 100 | 150 | 3 | 10 | 10 | 15 | 15° |
| 5 | 125 | 150 | 3 | 10 | 10 | 15 | 15° |
| 6 | 150 | 150 | 3 | 10 | 10 | 20 | 15° |
| 8 | 200 | 150 | 3 | 10 | 10 | 20 | 15° |
| 10 | 250 | 200 | 3 | 20 | 15 | 20 | 15° |
| 12 | 300 | 205 | 3 | 20 | 15 | 20 | 15° |
| 14 | 350 | 205 | 3 | 20 | 15 | 20 | 15° |
| 16 | 400 | 210 | 3 | 20 | 15 | 25 | 15° |
| 18 | 450 | 210 | 3 | 20 | 15 | 25 | 15° |
| 20 | 500 | 205 | 3 | 20 | 15 | 25 | 15° |
| 24 | 600 | 255 | 3 | 25 | 20 | 25 | 15° |

Although the dimensional allowance for installation is as given in the table above, when installing this connector for suction purposes do not allow for its elongation.

ACCEPTANCE OF MOTION



STRUCTURE



* Flange material can be changed to Ductile Iron (BS 2789) Grade 500-7 Epoxy Coating.

** Standard rubber material over Neoprene, may be replaced by other special synthetic rubber.

